

CPY2 Series Garage Canopy Light

Job Name:

Type:

Voltage:

Description

The ActiveLED® Canopy (CPY) consumes 50-85 percent less energy than conventional HID lighting. With its patented design and superior LED elements, the ActiveLED CPY Light is a reliable light source with a 90,000-hour lumen life (90% Luminous Flux), making it a maintenance free solution for applications where changing lamps and ballasts can be hazardous and expensive. The ActiveLED CPY Series Light may easily be installed as new or retrofit lighting in canopies and parking structures to offer directional control and minimize light pollution outside the targeted light footprint for improved visibility and efficiency.

Specifications

Input Voltage: Auto-sensing, 100-277 Volts AC, 50/60 Hz; Auto-sensing, 300-480 Volts AC, 50/60 Hz

Input Power: 26 or 52 input watts, 24 or 48 LED watts

Power Factor: > 0.95 (at ~100-277 Volts)

THD: Total Harmonic Distortion (THD) <20% (typical 9.9%)

Power Supply: Integral power supply with aluminum housing, integrated intelligent controls and integral heat sink

Operating Temperature: -40° C to 60° C (-40° F to 140° F)

Lumen Lifetime: L90/90K Hrs @ 60° C (90,000 Hrs with 90% Luminous Flux)

LED Optics: IP66 rated, thermally bonded LEDs, borosilicate glass lens w/ silicone sealing. Patented thermal management mounting system

CCT: 2700K, 3000K, 3500K, 4000K, or 5000K

Housing: Formed white aluminum housing, stainless steel hardware

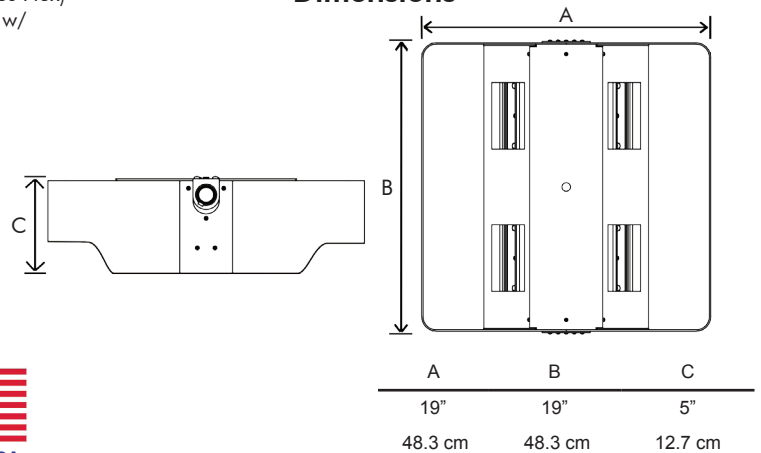
Finish: Powder coated after fabrication

Dimensions: 19" x 19" x 5"(H) (48.3 x 48.3 x 12.7 cm)

Weight: 10.4 pounds (4.7 kg)



Dimensions



Warranty

Ten (10) Year Warranty - LEDs will produce at least 90% of their initial light output with no color shift after 90,000 hours of operation. When using a Ringdale ActiveLED surge protection device, ordered and installed separately, the power supply warranty can be extended from five (5) years to ten (10) years.

Listings and Tests

cUL listed, CE, suitable for damp locations. RoHS compliant. IP66 Rated optical assembly. LM-79 and LM-80 info available. Conforms to FCC Part 15.19 Subpart B Class A Made in USA - ARRA Compliant



Ordering Information

CPY2

T

N

Style	Voltage	Mount	Optics	Diffuser	CCT	Watts	Color	Options
CPY2 - Garage Canopy Light	U - Universal 100-277 VAC, 50/60 Hz Digital Management	P - Pendant Mount	T - Traditional	N - No Diffuser	50 - 5000K	24 - 24 W LED 26 W Max (2070 lumens)	SL - Silver	B - Battery Backup Enabled
	6 - 320/480 VAC, 50/60 Hz Digital Management	S - Surface Mount			40 - 4000K	48 - 48 W LED 52 W Max (4139 lumens)	BR - Brown	D - Dusk to Dawn
	N - None (requires remote Power Supply, consult factory)				35 - 3500K		CG - Charcoal	J - Dusk/Dawn plus Motion/IR
	E - 45/48 V DC/DC Power Supply (No AC Support)				30 - 3000K		WH - White	M - Motion + IR Receiver, programmable
					27 - 2700K	Lumens at 5000K	BK - Black	P - Pigtail, 6' AC Whip, indoor
							BZ - Bronze	Q - Pigtail, 6' AC Whip, Outdoor/indoor
							X - Custom	R - IR Receiver only, programmable
							RAL # for X	

CPY2 Series Garage Canopy Light

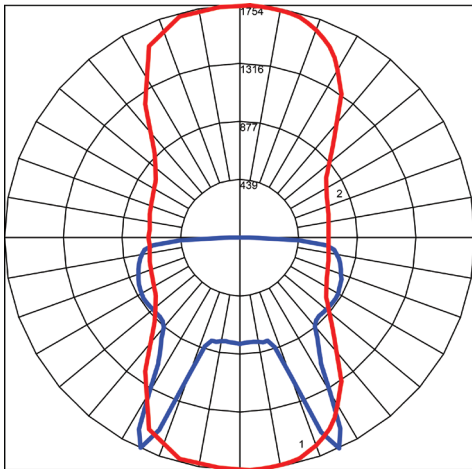
Performance Data

Projected Lumen Maintenance (TM-21)

Fixture / Ambient Temperature	0 Hours	15000 Hours	30000 Hours	45000 Hours	60000 Hours	90000 Hours
CPY2U-S-TN5048WH @25C	1.00	1.00	0.99	0.99	0.99	0.99
CPY2U-S-TN5048WH @40C	1.00	0.99	0.99	0.98	0.97	0.96
CPY2U-S-TN5048WH @55C	1.00	0.98	0.97	0.96	0.94	0.92
CPY2U-S-TN5048WH @60C	1.00	0.98	0.96	0.95	0.93	0.90

Note: Calculated using data collected according to LM-80 lumen maintenance on the LED package.

Photometrics



Maximum Candela = 1754.2 Located At Horizontal Angle = 87.5,
Vertical Angle = 25
1 - Vertical Plane Through Horizontal Angles (87.5 - 267.5)
(Through Max. Cd.)
2 - Horizontal Cone Through Vertical Angle (25) (Through Max. Cd.)

Control Options

The CPY2 Canopy Light can be provided with the ActiveLED intelligent LightSpace control capability. Additionally, the fixture can be ordered with optional Occupancy controls (Motion Sensor), as well as an IR Receiver so the fixture can be programmed remotely using the ActiveLED remote IR programming device.

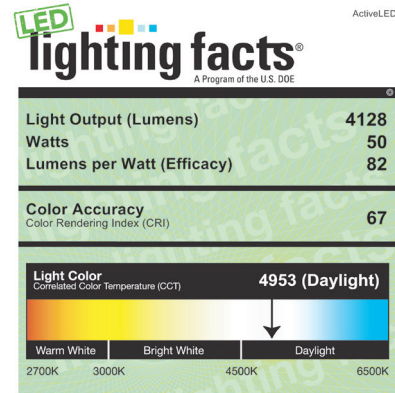
Battery Backup Enabled - • Battery Backup Enabled, providing 48V DC support for an optional Emergency Battery Backup Unit (BBU) for an Emergency LED Light fixture

Dusk/Dawn Sensor - Fixture detects adequate light and turns off when not needed.

IR Receiver Plus Motion - Integral motion sensor with IR receiver for programmable vacant to OFF and vacant to Dim level programming.

IR Receiver - Integral IR sensor only for ON to Dim programming.

Accessories/Mounting Options



All results are according to IESNA LM-79-2008: Approved Method for the Electrical and Photometric Testing of Solid-State Lighting. The U.S. Department of Energy (DOE) verifies product test data and results.

Visit www.lightingfacts.com for the Label Reference Guide.

Registration Number: T2M2-EHNCGZ (12/11/2013)
Model Number: CPYP-W-5552
Type: Luminaire - Parking Garage

Notes