

# WSI Series Wall Sconce Indoor

**ActiveLED**<sup>®</sup>  
Energy Efficient Lighting and Controls - Made in USA

**Job Name:**

**Type:**

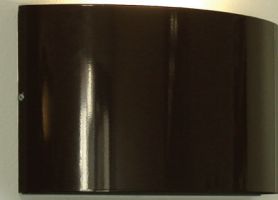
**Voltage:**

## Description

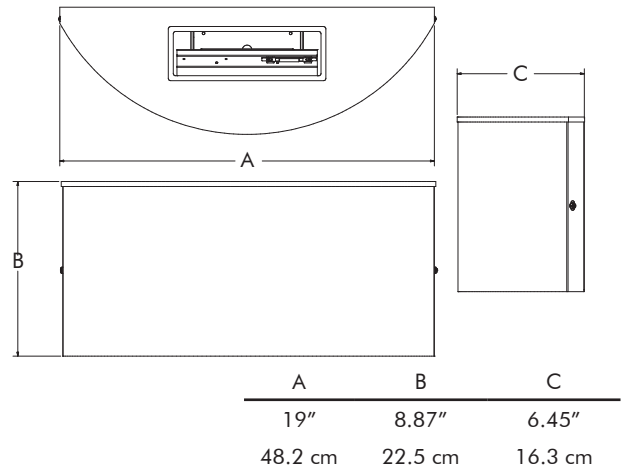
The ActiveLED<sup>®</sup> Wall Sconce WSI consumes 50-85 percent less energy than conventional HID lighting. With its patented design and superior LED elements, the ActiveLED WS Light is a reliable light source with a 90,000-hour lumen life (90% Luminous Flux), making it a maintenance free solution for applications where changing lamps and ballasts can be hazardous and expensive. The ActiveLED WS Series Light may easily be installed as new or retrofit lighting in office, apartments and retail structures to offer directional control and minimize light pollution outside the targeted light footprint for improved visibility and efficiency.

## Specifications

**Input Voltage:** Auto-sensing, 100-277 Volts AC, 50/60 Hz  
**Input Power:** 6, 14, 20 or 26 input watts, 4, 12, 18 or 24 LED watts  
**Power Factor:** > 0.95 (at ~100-277 Volts)  
**THD:** Total Harmonic Distortion (THD) <20% (typical 9.9%)  
**Power Supply:** Integral power supply with aluminum housing, integrated intelligent controls and integral heat sink  
**Operating Temperature:** -40° C to 60° C (-40° F to 140° F)  
**Lumen Lifetime:** L90/90K Hrs @ 60° C (90,000 Hrs with 90% Luminous Flux)  
**LED Optics:** IP66 rated, thermally bonded LEDs, borosilicate glass lens w/silicone sealing. Patented thermal management mounting system  
**CCT:** 2700K, 3000K, 3500K, 4000K, or 5000K  
**Housing:** Electroplated galvanized steel for enclosure, .250 thick sheet aluminum for heat syncing parts, stainless steel hardware  
**Finish:** Powder coated after fabrication  
**Dimensions:** 19"(l) x 8.87"(h) x 6.45"(d) (48.2 x 22.5 x 16.3cm)  
**Weight:** 6 pounds (2.7 kg)



## Dimensions



## Warranty

Ten (10) Year Warranty - LEDs will produce at least 90% of their initial light output with no color shift after 90,000 hours of operation. When using a Ringdale ActiveLED surge protection device, ordered and installed separately, the power supply warranty can be extended from five (5) years to ten (10) years.

## Listings and Tests

cUL listed, CE, suitable for damp locations. RoHS compliant. IP66 Rated optical assembly. LM-79 and LM-80 info available. Conforms to FCC Part 15.19 Subpart B Class A Made in USA - ARRA Compliant



## Ordering Information

Style	Voltage	Direction	Diffuser	CCT	Watts	Color	Options
<b>WSI</b> - Wall Sconce Indoor	<b>U</b> - 100-277 VAC, 50/60 Hz Digitally & BBU enabled <b>1</b> - 110/120 VAC Single Voltage 60 Hz <b>2</b> - 277 VAC Single Voltage 60 Hz <b>3</b> - 100 VAC Single Voltage 60 Hz <b>4</b> - 208 VAC Single Voltage 60 Hz <b>5</b> - 240 VAC Single Voltage 50 Hz <b>N</b> - None (requires remote Power Supply, consult factory) <b>E</b> - 45/48 VDC Power Supply (No AC Support)	<b>UA</b> - All Up <b>DA</b> - All Down <b>UD</b> - Up/Down Split <b>U1D2</b> - 1 LED up, 2 down <b>U2D1</b> - 2 LEDs up, 1 down	<b>A</b> - Polychromatic <b>B</b> - Translucent Acrylic <b>F</b> - Clear Low FE <b>N</b> - No Diffuser <b>J</b> - Open/Clear <b>N</b> - None <b>O</b> - Optional Top or Bottom difuser for WSI or WSO	<b>50</b> - 5000K <b>40</b> - 4000K <b>35</b> - 3500K <b>30</b> - 3000K <b>27</b> - 2700K	<b>6</b> - 6W LED 6 W Max (540 lumens) <b>12</b> - 12W LED 14 W Max (1080 lumens) <b>18</b> - 18W LED 20 W Max <b>24</b> - 24W LED 26 W Max Lumens at 5000K	<b>SL</b> - Silver <b>BR</b> - Brown <b>CG</b> - Charcoal <b>WH</b> - White <b>BK</b> - Black <b>BZ</b> - Bronze <b>X</b> - Custom RAL # for X	<b>P</b> - Pigtail, 6' AC Indoor Whip <b>Q</b> - Pigtail, 10' AC Indoor/Outdoor Whip

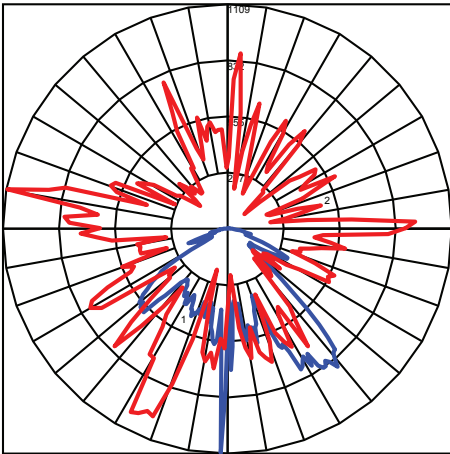
## Performance Data

### Projected Lumen Maintenance (TM-21)

Fixture / Ambient Temperature	0 Hours	15000 Hours	30000 Hours	45000 Hours	60000 Hours	90000 Hours
WSIU-UD-N5012WH @25C	1.00	1.00	0.99	0.99	0.99	0.99
WSIU-UD-N5012WH @40C	1.00	0.99	0.99	0.98	0.97	0.96
WSIU-UD-N5012WH @55C	1.00	0.98	0.97	0.96	0.94	0.92
WSIU-UD-N5012WH @60C	1.00	0.98	0.96	0.95	0.93	0.90

Note: Calculated using data collected according to LM-80 lumen maintenance on the LED package.

## Photometrics



Maximum Candela = 1109 Located At Horizontal Angle = 170, Vertical Angle = 2  
 # 1 - Vertical Plane Through Horizontal Angles (170 - 350) (Through Max. Cd.)  
 # 2 - Horizontal Cone Through Vertical Angle (2) (Through Max. Cd.)

## Control Options

Control Options vary by Power Supply selection.

## Accessories/Mounting Options

Ringdale, Inc.

### LIGHTING FACTS

<b>Light Output (Lumens)</b>	1050
<b>Watts</b>	22
<b>Lumens per Watt (Efficacy)</b>	48
<b>Color Accuracy</b>	
Color Rendering Index (CRI)	73
<b>Light Color</b>	
Correlated Color Temperature (CCT) <span style="float: right;">5500 (Daylight)</span>	
2700K	3000K
4500K	6500K

All results are according to IESNA LM-79-2008: Approved Method for the Electrical and Photometric Testing of Solid-State Lighting.

Model Number:  
Type:

## Notes