

Marine Series M1H

MARINE LIGHT FIXTURES

100-277V

**LM79
LM80**



IP68



PROJECT INFORMATION

Project Name _____

Catalog No. _____ Date _____

DESCRIPTION

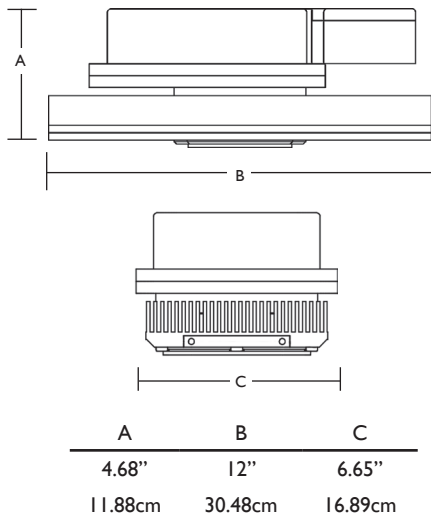
The ActiveLED® Marine Series M1H is designed and certified for use on marine vessels, offshore drilling rigs and platforms while offering the uniqueness of being half the size of its companion the M1. Additionally, the M1H is engineered to take punishment from wet areas where corrosion resistance is critical to equipment longevity and safety. The fixture punches out 7,200 Lumens at a staggering 150 Lumens Per Watt and is certified for use in explosive gas environments.

Applications include: Work Boats, Marine Loading Docks, Petrochemical Facilities, Lubrication Pits, Oil Drilling Rigs, Water Treatment Areas and Processing Plants.



Marine Series M1H

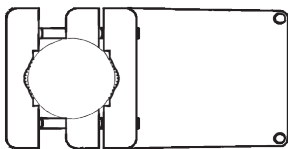
DIMENSIONS



FEATURES

- Replaceable lens covers.
- Fully enclosed drivers.
- ThermalDRAW™ Cooling Technology - Patented cooling technology ensures LED components will equal or exceed warranty.
- LUM-INTENSE™ - LED lighting luminaire technology that combines recent advancements in LED Modules, Drivers and Optics to deliver more Lumens per Watt in a smaller package.
- North America - Class I, Division I Groups B, C and D - T5
- Canada - Class I, Division I, Groups C, D and - T5
- Warranty - 10 Year Warranty on LED elements, fixture housing, and LED Driver. See page 2 for additional warranty information.

MOUNTING OPTIONS



Clamp range 0.75" to 02.00" tube or pipe.
Clamp attaches to each end of luminaire.



LIGHT OUTPUT

7,200 Lm

WATTS

48 W

LUMENS per WATT

150 Lm/W

LIGHT COLOR (CCT)

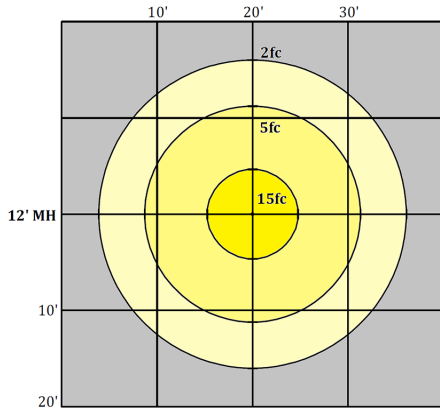
5,000 K

ActiveLED®
Energy Efficient Lighting and Controls

NOTE: Lighting Facts shown for HZL1H 45W only.
For more Lighting Facts, visit lightingfacts.com for the Label and Label Reference Guide.



PHOTOMETRICS



PERFORMANCE DATA

AMBIENT TEMPERATURES	0 HOURS	45,000 HOURS	90,000 HOURS
77°F (25°C)	1.00	0.99	0.99
104°F (40°C)	1.00	0.98	0.96
131°F (55°C)	1.00	0.96	0.92
140°F (60°C)	1.00	0.95	0.90

Projected Lumen Maintenance (TM-21)

NOTE: Calculated using data collected according to LM-80 lumen maintenance on the LED package.

NOTE: Photometrics shown for HZL1H 45W only. Contact company for photometrics on other sizes.

GENERAL SPECIFICATIONS

Input Voltage	Auto-Sensing 100-277 Volts AC, 50/60 Hz	LED Optics	IP68 rated, thermally bonded LEDs Patented thermal management mounting system
Input Power	48 Input Watts 45 LED Watts	CCT	2700K, 3000K, 3500K, 4000K, or 5000K
Power Factor	> 0.95 (at ~100-277 Volts)	Housing	Machined aluminum for enclosure and heat sinking parts, stainless steel hardware
THD	Total Harmonic Distortion (THD) <20% (typical 9%) at full load	Finish	Raw Aluminum
Driver	Integral driver with aluminum housing and integral heat sink	Dimensions	4.68" Height, 6.65" Wide and 12" Length (11.88cm x 16.89cm x 30.48cm)
Operating Temperature	-58° F to 140° F (-50° C to 60° C)	Weight	17.5 lbs, 7.938Kg
Lumen Lifetime	L90/90K Hrs @ 60° C (90,000 Hrs with 90% Luminous Flux)		

WARRANTY

Ten (10) Year Warranty - LEDs, Fixture and Driver shall conform to its published specifications under normal usage and operating conditions including "no light loss" of more than 10% at the end of the period. LEDs will produce at least 90% of their initial light output with no color shift after 90,000 hours of operation.

LISTINGS AND TESTS

ULI598, ULI598A, UL844, UL listed driver, Class I Division I, CE, suitable for wet locations. RoHS compliant. IP68 Rated optical assembly. LM-79 and LM-80 info available. Conforms to FCC Part 15.19 Subpart B Class A. Made in USA - ARRA Compliant.

ORDERING INFORMATION

Example: HZL1HU-B-WT50R45RA

HZL1H		B	W	T		R45	RA
Unit	Driver	Mount	Pattern	Diffuser	CCT	Watts	Color
HZL1H Hazard Light Half-Size	U Universal Driver 100-277 VAC, 50/60 Hz	B- Bolt Mount	W- Wide	T- Tempered Glass	50- 5,000K 40- 4,000K 35- 3,500K 30- 3,000K 27- 2,700K	R45 45W LED, 48W Max	RA- Raw Aluminum
	L 12 VAC Low Voltage Driver						