

Marine Series M2

MARINE LIGHT FIXTURES

100-277V

LM79 LM80



IP68



PROJECT INFORMATION

Project Name _____

Catalog No. _____ Date _____

DESCRIPTION

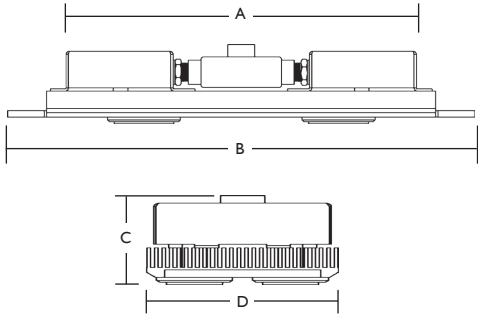
The ActiveLED® Marine Series M2 is designed and certified for use on marine vessels, offshore drilling rigs and platforms. The M2 is constructed to take the punishment from wet areas where corrosion resistance is critical to equipment longevity and safety. The fixture punches out 13,000 Lumens at a staggering 150 Lumens Per Watt and is certified for use in some explosive gas environments.

Applications include: Work Boats, Marine Loading Docks, Petrochemical Facilities, Lubrication Pits, Oil Drilling Rigs, Water Treatment Areas and Processing Plants.



Marine Series M2

DIMENSIONS

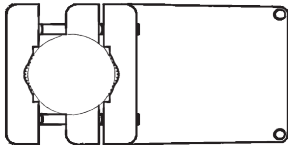


A	B	C	D
20"	24"	4.52"	6"
50.80cm	60.96cm	11.48cm	15.24cm

FEATURES

- Replaceable lens covers.
- Fully potted drivers.
- ThermalDRAW™ Cooling Technology - Patented cooling technology ensures LED components will equal or exceed warranty.
- LUM-INTENSE™ - LED lighting luminaire technology that combines recent advancements in LED Modules, Drivers and Optics to deliver more Lumens per Watt in a smaller package.
- Class I, Division 2, Groups A, B, C, and D --T4A
- Class II, Division 1 & 2, Groups E, F, and G --T4A
- Warranty - 10 Year Warranty on LED elements, fixture housing, and LED Driver. See page 2 for additional warranty information.

MOUNTING OPTIONS



Clamp range 0.75" to 02.00" tube or pipe.
Clamp attaches to each end of luminaire.



LIGHT OUTPUT
13,000 Lm

WATTS
90 W

LUMENS per WATT
140 Lm/W

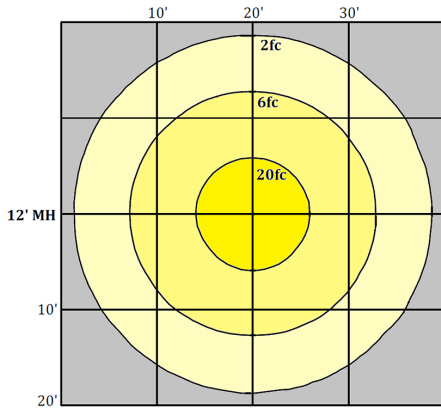
LIGHT COLOR (CCT)
5,000 K

NOTE: Lighting Facts shown for HZL2, 90W only.
For more Lighting Facts, visit lightingfacts.com for the Label and Label Reference Guide.

ActiveLED®
Energy Efficient Lighting and Controls



PHOTOMETRICS



PERFORMANCE DATA

AMBIENT TEMPERATURES	0 HOURS	45,000 HOURS	90,000 HOURS
77°F (25°C)	1.00	0.99	0.99
104°F (40°C)	1.00	0.98	0.96
131°F (55°C)	1.00	0.96	0.92
140°F (60°C)	1.00	0.95	0.90

Projected Lumen Maintenance (TM-21)

NOTE: Calculated using data collected according to LM-80 lumen maintenance on the LED package.

NOTE: Photometrics shown for HZL2 90W only. Contact company for photometrics on other sizes.

GENERAL SPECIFICATIONS

Input Voltage	Auto-Sensing 100-277 Volts AC, 50/60 Hz	LED Optics	IP68 rated, thermally bonded LEDs w/silicone sealing. Patented thermal management mounting system
Input Power	75 and 90 Input Watts 72 and 88 LED Watts	CCT	2700K, 3000K, 3500K, 4000K, or 5000K
Power Factor	> 0.99 (at ~100-277 Volts)	Housing	Extruded aluminum for enclosure and heat sinking parts, stainless steel hardware
THD	Total Harmonic Distortion (THD) <3.5% (typical 4%) at full load	Finish	Raw Aluminum
Driver	Integral driver with aluminum housing and integral heat sink	Dimensions	6" Height, 4.52" Wide, 20" Length and 24" length with handle (15.24cm x 11.48cm x 50.80cm x 60.96cm with handle)
Operating Temperature	-40° F to 140° F (-40° C to 60° C)	Weight	28 lbs, 12.7Kg
Lumen Lifetime	L90/90K Hrs @ 60° C (90,000 Hrs with 90% Luminous Flux)		

WARRANTY

Ten (10) Year Warranty - LEDs, Fixture, and Driver shall conform to its published specifications under normal usage and operating conditions including "no light loss" of more than 10% at the end of the period. LEDs will produce at least 90% of their initial light output with no color shift after 90,000 hours of operation.

LISTINGS AND TESTS

ULI598, ULI598/A, UL844, UL listed driver, C1 D2, C2 D1, C2 D2, CE, suitable for wet locations. RoHS compliant. IP68 Rated optical assembly. LM-79 and LM-80 info available. Conforms to FCC Part 15.19 Subpart B Class A. Made in USA - ARRA Compliant.

ORDERING INFORMATION

Example: HZL2U-B-WS50R90RA

HZL2	U	B	W	S			RA
Unit	Driver	Mount	Pattern	Diffuser	CCT	Watts	Color
HZL2 Hazard Light	U- Universal Driver 100-277 VAC, 50/60 Hz	B- Bolt Mount	W- Wide	S- Starfire Glass	50- 5,000K 40- 4,000K 35- 3,500K 30- 3,000K 27- 2,700K	R75 72W LED, 75W Max (10,500 Lumens) R90 88W LED, 90W Max (12,600 Lumens)	RA- Raw Aluminum