

CPY5 Series Gas Station Canopy Light

CANOPY LIGHTING

100-277V

**LM79
LM80**

IP64



PROJECT INFORMATION

Project Name _____

Catalog No. _____ Date _____

DESCRIPTION

The ActiveLED® CPY5 Series Gas Station Canopy Light is engineered with a slim, easy to mount design. This powerful fixture offers exceptional performance while reducing energy and maintenance costs. The CPY5 is ideal for new construction applications or retrofitting existing canopies with recessed installation. ActiveLED® technology ensures reliable color consistency and extended service life.

Applications include: Gas Stations, Outdoor Canopies, Covered Walkways and Porte Cochere.



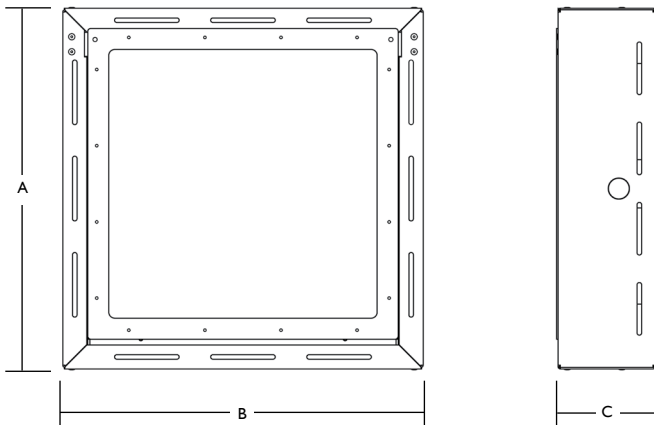
CPY5 Gas Station Canopy Surface Mount



CPY5 Gas Station Canopy Recessed Mount

DIMENSIONS

Dimensions Shown for CPY5 Gas Station Canopy Surface Mount



A	B	C
15"	15"	4"
38.1cm	38.1cm	10.86cm

Dimensions for CPY5 Gas Station Canopy Recessed Mount

A	B	C
14"	14"	6"
35.56cm	35.56cm	15.24cm

FEATURES

- ActiveREST™ Dimming Technology - Fixture may be automatically dimmed when full light levels are not required. EXAMPLE - Dimming to level 40 equates to less than 9% of fixture watts being consumed.
- ThermalDRAW™ Cooling Technology - Patented cooling technology ensures LED components will equal or exceed warranty.
- LUM-INTENSE™ - LED lighting luminaire technology that combines recent advancements in LED Modules, Drivers and Optics to deliver more Lumens per Watt in a smaller package.
- LightSpace® Lighting Controls - Fixture is capable of being programmed and controlled either individually or as part of a lighting zone via remote sensors, switches or a building management system (BMS).
- Warranty - 10 Year Warranty on LED elements, fixture housing, and LED Driver.



LIGHT OUTPUT

8,700 lm

WATTS

62W

LUMENS per WATT

140 lm/W

LIGHT COLOR (CCT)

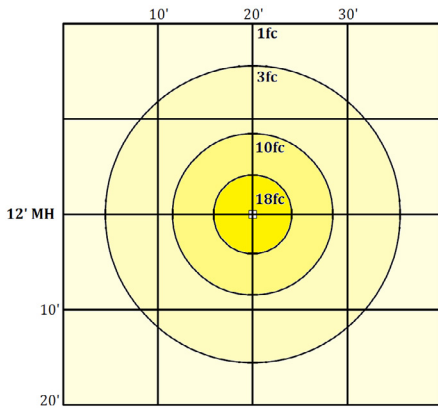
5000 K

ActiveLED®
Energy Efficient Lighting and Controls

NOTE: Lighting Facts shown for CPY5, 60W only.
For more Lighting Facts, visit lightingfacts.com for the Label and Label Reference Guide.



PHOTOMETRICS



PERFORMANCE DATA

AMBIENT TEMPERATURES	0 HOURS	45,000 HOURS	90,000 HOURS
77°F (25°C)	1.00	0.99	0.99
104°F (40°C)	1.00	0.98	0.96
131°F (55°C)	1.00	0.96	0.92
140°F (60°C)	1.00	0.95	0.90

Projected Lumen Maintenance (TM-21)

NOTE: Calculated using data collected according to LM-80 lumen maintenance on the LED package.

NOTE: Photometrics shown for CPY5 Series, 60W only. Contact company for photometrics on other sizes.

GENERAL SPECIFICATIONS

Input Voltage	Auto-sensing, 100-277 Volts AC, 50/60 Hz	LED Optics	IP64 rated, heat sink, thermally bonded LEDs., and patented thermal management mounting system
Input Power	72 LED Watts 75 Input Watts	CCT	2700K, 3000K, 3500K, 4000K, or 5000K
Power Factor	> 0.95 (at ~100-277 Volts)	Housing	Fabricated aluminum .090 thickness for heat sinking parts, electroplated galvanized steel for the frame, stainless steel hardware
THD	Total Harmonic Distortion (THD) <20% (typical 9.9%)	Finish	Powder coated after fabrication
Driver	Integral driver with aluminum housing, integrated intelligent controls and integral heat sink	Dimensions	15" (L) x 15" (W) x 4" (H) (38.1cm x 38.1cm x 10.86cm)
Operating Temperature	-58° F to 149° F (-50° C to 65° C)	Weight	12 pounds (5.4 kg)
Lumen Lifetime	L90/90K Hrs @ 60° C (90,000 Hrs with 90% Luminous Flux)		

WARRANTY

Ten (10) Year Warranty - LEDs, Fixture, and Driver shall conform to its published specifications under normal usage and operating conditions including "no light loss" of more than 10% at the end of the period. LEDs will produce at least 90% of their initial light output with no color shift after 90,000 hours of operation.

LISTINGS AND TESTS

cUL listed driver, CE, suitable for interior or covered exterior locations. RoHS compliant. IP64 Rated optical assembly. LM-79 and LM-80 info available. Conforms to FCC Part 15.19 Subpart B Class A. Made in USA - ARRA Compliant.

ORDERING INFORMATION

Example: CPY5U-R-TK50R60VWH

Style	Voltage	Mount	Optics	Diffuser	CCT	Watts	Color	Options
CPY5 Canopy Light	U 100-277 VAC, 50/60 Hz.	S Surface Mount	T Traditional Canopy	K Clear Polycarbonate Diffuser	50 5,000K	48 48W LED, 52W Max	WH White (Default)	P Pigtail, 6' AC Whip, Indoor
	6 300-480 VAC, 50/60 Hz.	R Recessed Mount		B Translucent Diffuser	40 4,000K	60 60W LED, 63W Max	BK Black	Q6 Pigtail, 6' AC Whip, Outdoor/Indoor
	N None ¹	P Pendant Mount		M Clear Macrolon UL 94-V0	35 3,500K	72 72W LED, 75W Max	BR Brown	Q1 Pigtail, 10' AC Whip, Outdoor/Indoor
	E 45/48 VDC Driver ²				30 3,000K		BZ Bronze	
					27 2,700K		CG Charcoal	
							SL Silver	

¹ Requires remote driver. Consult factory.

² No AC Support.